

OTTO ENVIRONMENTAL SYSTEMS

Urban Furnishing



mini xxl  
*waste containers*



# mini xxl the large small container



## 1. EFFICIENT

- Use of existing logistics
- Emptying by suction
- Cleaner environment  
(no overflowing containers)
- Cost reduction thanks to large volume
- Emptying by one person
- Optimum filling level
- Simple mechanics, easy maintenance

## 2. COMPACT

- Modular system
- Unobtrusive appearance
- A number of variations available
- Little space required
- Accessible ground covering
- Fewer containers required than previously
- Flexible emptying intervals

## 3. ATTRACTIVE

- High-grade design
- Freedom for planners and architects
- Minimum odour escape
- User-friendly insert height
- Large range of colours
- Fits well with the townscape

## 4. FUNCTIONAL

- Opening using a special key
- Automatic locking system
- Resistant to soiling
- Water drainage
- Reduced emptying frequency
- Reduced emptying cost

## MINI XXL – THE SMALL GIANT

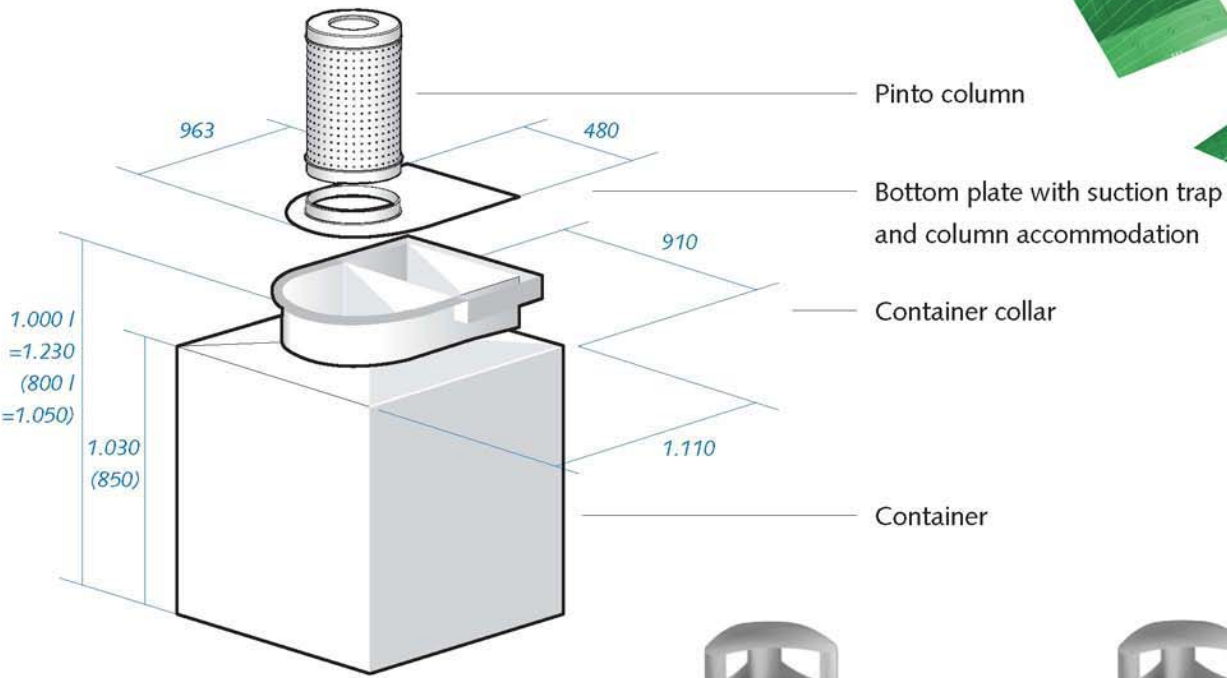
What you see is a "normal" waste container. What you cannot see is the large underground container that is accessible through a bottom trap and emptied using an advanced suction technique. The required air circulation is ensured by the separation of insert and emptying openings. Mini XXL helps to clearly reduce logistics cost while minimising the disadvantages of large containers.

## TECHNICAL DATA

Volume	<i>800 litres / 1000 litres</i>
Emptying method	<i>suction</i>
Corrosion protection	<i>hot-dip galvanisation</i>
Models	<i>Pinto / Tano</i>
Installation	<i>placing, earthwork, mounting of column</i>

# MINI XXL

## Models & details



Pinto column

Bottom plate with suction trap and column accommodation

Container collar

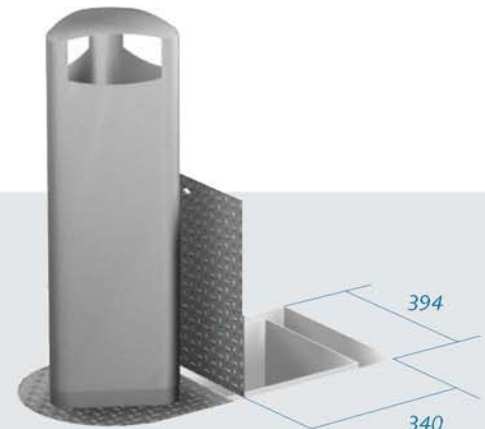
Container

### MODEL TANO

Height of insert column	990 mm
Side length of insert column	327 mm
Depth of insert column	297 mm
Weight	800 l approx. 145 kg
	1000 l approx. 160 kg
Insert opening	225 x 125 mm
Material	Steel sheet



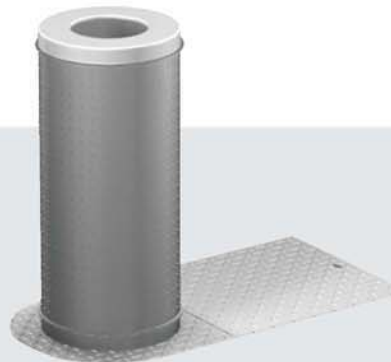
Installation situation



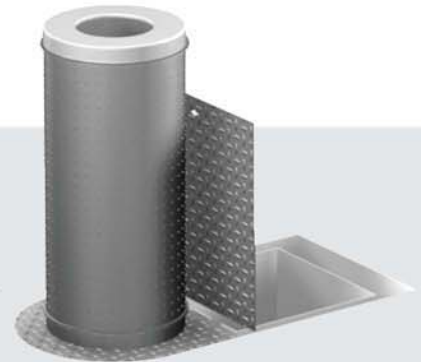
Open bottom trap

### MODEL PINTO

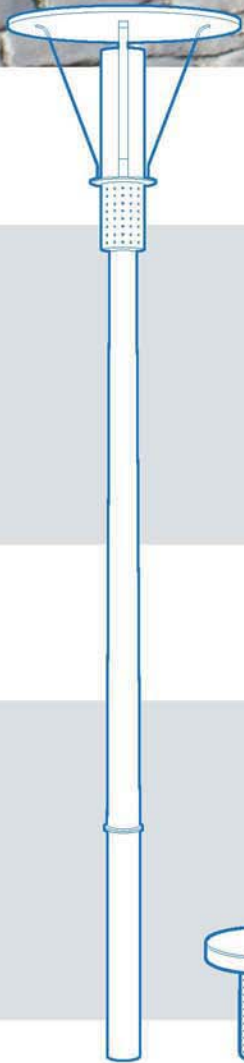
Height of insert column	743 mm
Width of insert column	440 mm
Weight	800 l approx. 145 kg
	1000 l approx. 160 kg
Insert opening	Ø 170 mm
Material	Steel sheet



Installation situation

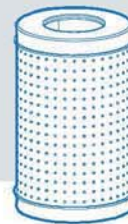
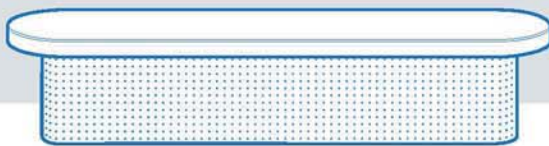
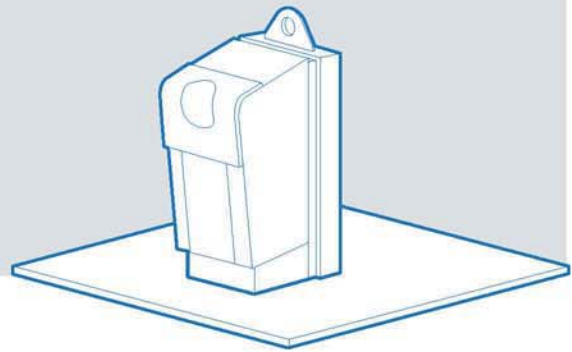


Open bottom trap



**INFORMATION & CONSULTATION**

We are at your disposal - providing assistance at all planning stages, from the concept to the installation and maintenance.



**Our competence:**

**COUNSELLING**

Concepts for individual solutions

**DEVELOPMENT**

Designing of optimum receptacles

**PRODUCTION**

Manufacturing at our own plants

**DISTRIBUTION**

Direct sales route to customer

**SERVICE**

Logistics, container management, maintenance

**The product and service package:**

**OTTO WASTE SYSTEMS**

Systems for waste disposal in public areas

**OTTO URBAN FURNISHING**

Litter bin systems and street furniture

**OTTO LIFT SYSTEMS**

Collecting vehicles and lift and tipping devices

**OTTO CONTAINER SYSTEMS**

Approved containers and special containers

**OTTO DATA MANAGEMENT**

Customer-specific data collection and analysis



CONTRA International  
info@contraitl.com ; www.contraitl.com

