

May 2004

FD90 Reduced Voltage - Soft Start



Product Description

The FD90 LMR Controllers incorporate a solid state starter which provides a stepless, smooth current ramp to the motor. This characteristic eliminates current surges and mechanical torque transients. A soft stop feature allows for smooth deceleration of the motor thus eliminating water hammer throughout the cycle.

The FD90 can be programmed for either fully automatic or semi-automatic operation.

Product Features

Microprocessor Control

EATON Cutler-Hammer LMR Fire Pump Controllers are microprocessor based. All events surrounding the operation of the controller are stored within the memory, thus giving the ability to diagnose and troubleshoot problems based on an actual history of events. Events are time and date stamped.

A main display unit provides a read-out of parameters such as current pressure, volts and amps and will display error messages as well as provide alarm indication. A status report is available which provides a record of the state of the controller as it was left after commissioning. The report can be printed locally via the printer / recorder.

Alarm & Status Indication

The display panel is equipped with nine red Alarm LED's and nine green Status LED's which indicate various functions and operations of the controller. The membrane keypad has curved dome windows which allow viewing from a wide angle.

LCD Message Retrieval

The 2 line liquid crystal display allows viewing of all messages and event information without opening the front door of the controller. Messages can also be downloaded to a laptop computer via the communications port located on the top of the main microprocessor board.

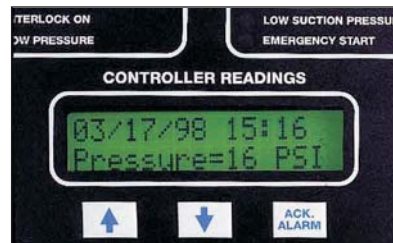
Printer / Recorder

The industrial grade thermal printer is housed in a rugged steel enclosure within the controller. The on/off switch, feed and reset buttons are front accessible. A bi-color status LED is also visible on the front of the printer. Green indicates - "Printer Operational" while yellow indicates - "Out of Paper".



Last 2048 Messages

The internal microprocessor stores the most recent 2048 messages in its memory. The messages can be printed, viewed on the LCD screen or downloaded to a laptop. Each message is time and date stamped. The LCD display acts as a paperless chart recorder.



Elapsed Time Meter

The LMR monitors and records the run time of the motor, in hours, whenever the pump is running. The actual run time can be viewed on the LCD display in 1 hour increments.

Number of Operations Counter

The LMR controller monitors and records the number of times the pump has started. The actual count can be viewed on the LCD display.

Volts and Amps Display

The LCD display located on the main display panel, simultaneously indicates the voltage and amps on all three phases of power coming into the controller.

Sequential Start Timer

The sequential start timer is used to program a start delay after an automatic start request. This function is used for staging the start of pumps in a multiple pump application and also in Diesel backup applications.

Weekly Test Timer

The weekly test timer allows the user to set the controller to automatically start and stop the controller once per week. The number of weeks between tests is set via the front keypad. The weekly test date and time can be viewed on the LCD display.

Pressure Transducer: 0 - 600 psi

Each LMR controller is equipped with a stainless steel, 0-600 psi pressure switch capable of withstanding a momentary surge pressure of 1000 psi.

NEMA 2 Enclosures

All LMR controllers come standard with NEMA 2 enclosures unless otherwise ordered. Available options include: NEMA 3R, 4, 4X, 12.

NEMA Rated Contactors

NEMA rated Freedom or A200 Series EATON Cutler-Hammer contactors are used in all LMR fire pump controllers. A wide variety of coil voltages are available for domestic and international use.

Emergency Start Operator

A mechanically operated emergency start handle activates the motor contactor independent of any electrical control circuits or pressure switch input.



Extra Set of Form-C Contacts for Phase Reversal and Phase Failure

The phase reversal and phase failure relays come standard with an extra set of contacts that can be used for remote alarm indication.

Run Period Timer

The run period timer is built into the LMR microprocessor and can be accessed via the membrane / keypad. It is programmable from 0-45 minutes and should be reset to ten (10) minutes when the controller is placed in service.

FD90 Reduced Voltage - Soft Start

Product Features

Additional Output Relay

An additional output relay labeled Future #1, can be user programmed to operate for nine (9) different functions. Programming is done in the LMR menu using the membrane / keypad.

Common Alarm Relay and Contacts

The LMR controller has a common alarm relay which de-energizes whenever there are any alarm conditions present. This relay is energized under normal conditions and has LED status indication on the main relay board.

Status & Alarm Indication



Status LED's

- Power On
- Pump Running
- RPT Timer
- Sequence Timer
- Local Start
- Remote Start
- Deluge Valve
- Interlock On
- Low Pressure

Alarm LED's

- Phase Reversal
- Phase Failure
- Fail To Start
- Undervoltage
- Overvoltage
- Relief Valve Discharge
- Locked Rotor Trip
- Low Suction Pressure
- Emergency Start

Technical Data and Specifications

Line Terminals (Incoming Cables)

	Line Terminals on Main Isolation Switch (Incoming Cables)						Qty. & Cable Sizes	Service Entrance GND.LUG Qty. & Cable Sizes
	LINE VOLTAGE							
	200 - 208	220 - 240	* 380 - 415	440 - 480	550 - 600			
Max. Hp	30	30	60	75	100	(1)#14-1/0 PER \emptyset (CU/AL)	(1)#14-2/0 (CU/AL)	
	40	40	100	100	-	(1)#4-4/0 PER \emptyset (CU/AL)	(1)#14-2/0 (CU/AL)	
	75	75	150	200	200	(1)#3-350MCM \emptyset (CU/AL)	(1)#4-350MCM (CU/AL)	
	100	125	200	250	300	(2)3/0-250MCM \emptyset (CU/AL)	(2)#4-350MCM (CU/AL)	
	150	200	300	400	500	(2)250-350MCM \emptyset (CU/AL)	(2)#2-600MCM (CU/AL)	

Coils available: 380V-50Hz, 380V-60Hz, 415V-50Hz, 415V-60Hz.

Load Terminals (To Motor)

	Load Terminals (To Motor)					
	LINE VOLTAGE					
	200 - 208	220 - 240	380 - 415	440 - 480	550 - 600	Qty. & Cable Sizes
Max. Hp	10	15	25	25	25	(1)#14-#3 PER \emptyset (CU/AL)
	25	30	50	50	50	(1)#14-1/0 PER \emptyset (CU/AL)
	50	50	100	75	100	(1)#6-250MCM \emptyset (CU/AL)
	75	100	200	200	200	(2)1/0-250MCM \emptyset (CU/AL)
	150	200	300	400	500	(2)2/0-500MCM \emptyset (CU/AL)

For Proper Cable Size Refer to National Electrical Code NFPA-70

Standards & Certification

The LMR Electric Fire Pump Controllers meet or exceed the requirements of Underwriters Laboratories, Underwriters Laboratories Canada, Factory Mutual, the Canadian Standards Association, New York City building code, CE mark requirements and are built to NFPA 20 standards.

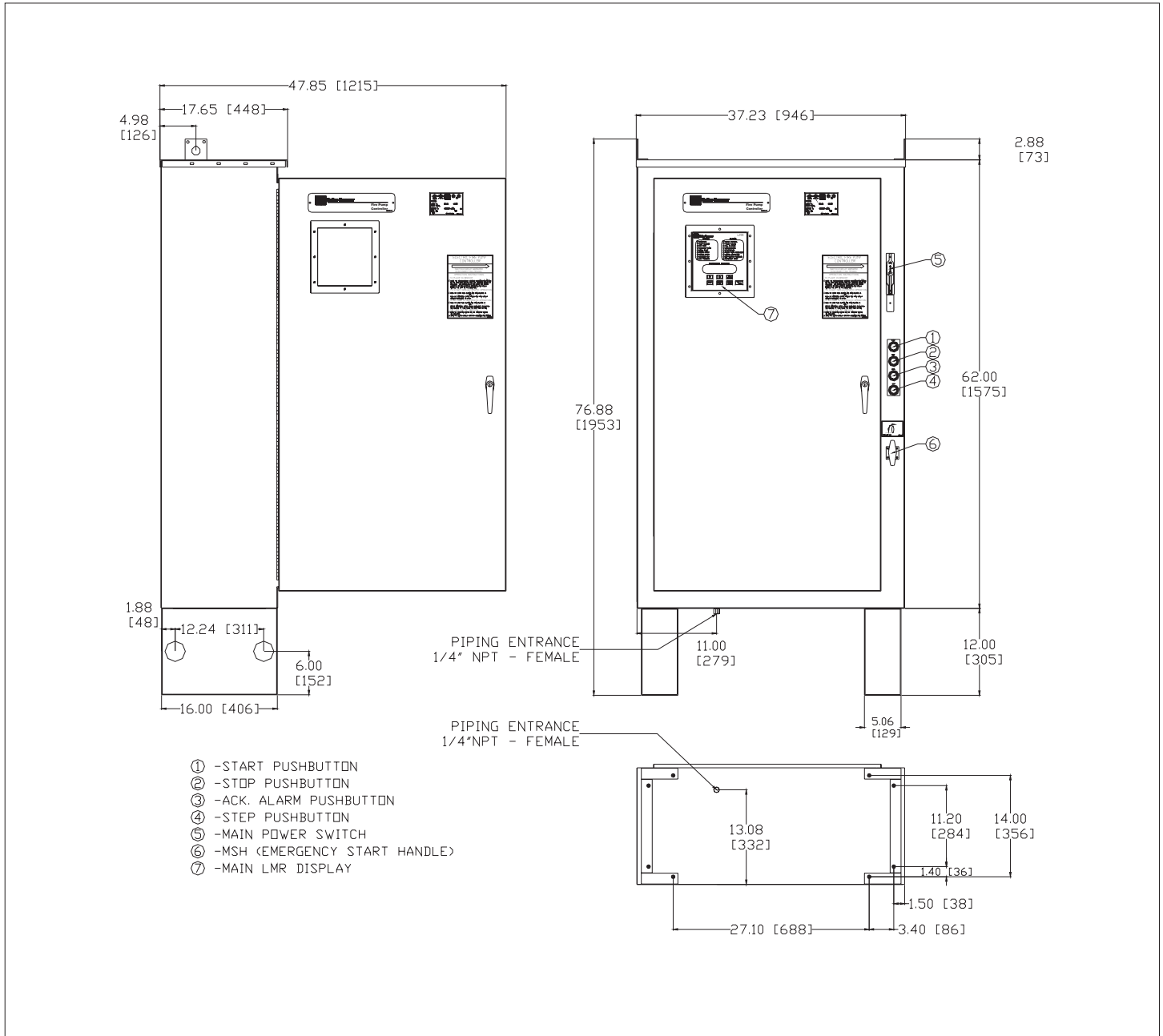


May 2004

FD90 Reduced Voltage - Soft Start

Dimensions

Standard Enclosure - Type NEMA 2, 3R, 4, 4X, 12



Motor Hp	Line Voltage	Withstand Rating			Approx. Weight Lbs. (Kg)
		Standard	Intermediate	High	
5 - 40	200 - 208V	100,000	150,000	200,000	730 (331)
5 - 50	220 - 240V				
5 - 75	380 - 415V *				
5 - 100	440 - 480V				
5 - 125	550 - 600V	25,000	Consult Factory		

* Coils available: 380V-50Hz, 380V-60Hz, 415V-50Hz, 415V-60Hz

NOTES:

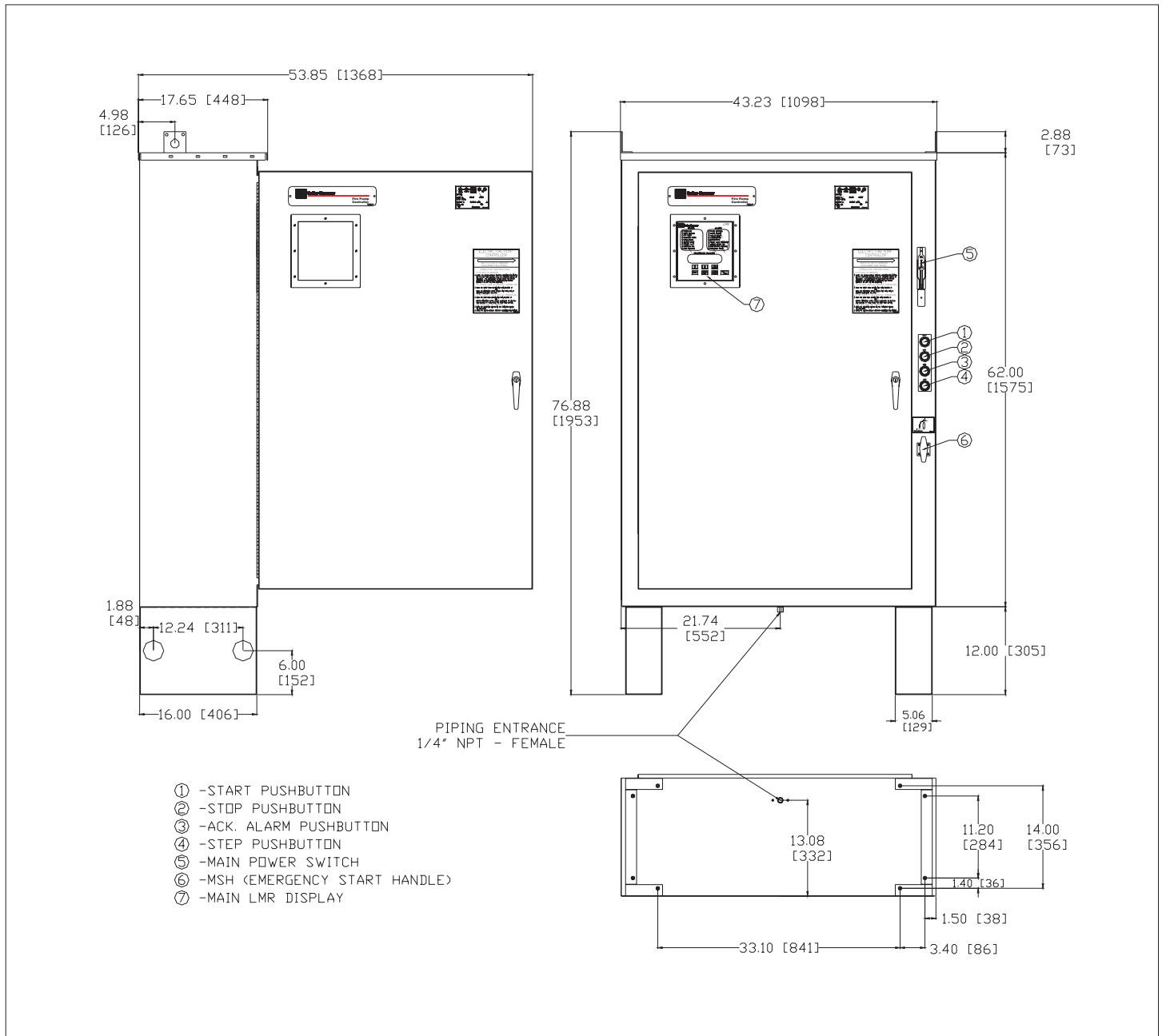
1. All enclosures finished in FirePump red.
2. Cable Entrance either top or bottom.
3. Standard Enclosure type NEMA 2.



FD90 Reduced Voltage - Soft Start

Dimensions

Standard Enclosure - Type NEMA 2, 3R, 4, 4X, 12



Motor Hp	Line Voltage	Withstand Rating			Approx. Weight Lbs. (Kg)
		Standard	Intermediate	High	
50 - 150	200 - 208V	100,000	Consult Factory	Consult Factory	780 (354)
60 - 200	220 - 240V				
100 - 300	380 - 415V *				
125 - 400	440 - 480V				
150 - 500	550 - 600V	25,000	35,000		

* Coils available: 380V-50Hz, 380V-60Hz, 415V-50Hz, 415V-60Hz



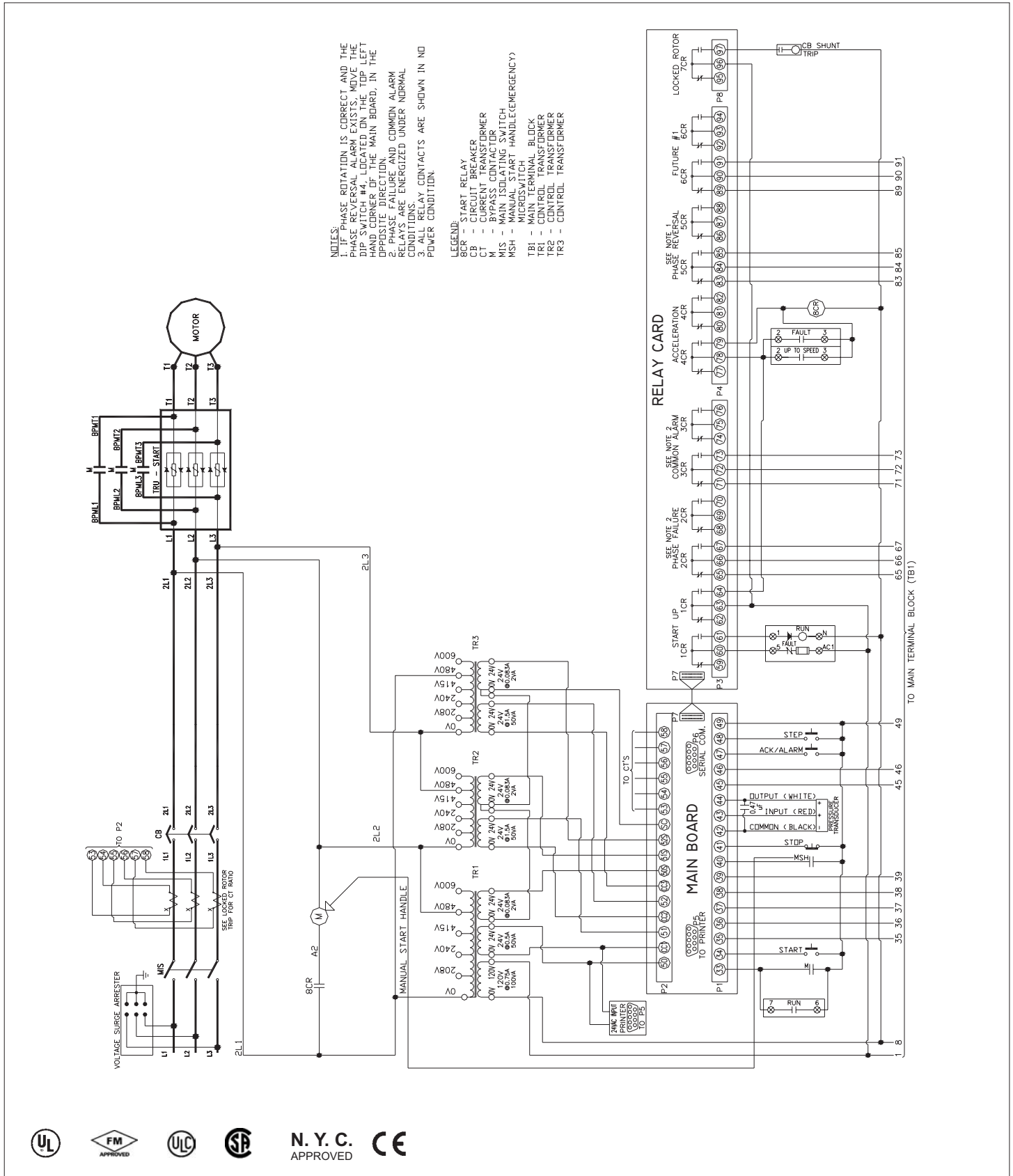
NOTES:

1. All enclosures finished in FirePump red.
2. Cable Entrance either top or bottom.
3. Standard Enclosure type NEMA 2.

May 2004

FD90 Reduced Voltage - Soft Start

Electrical Wiring Schematic

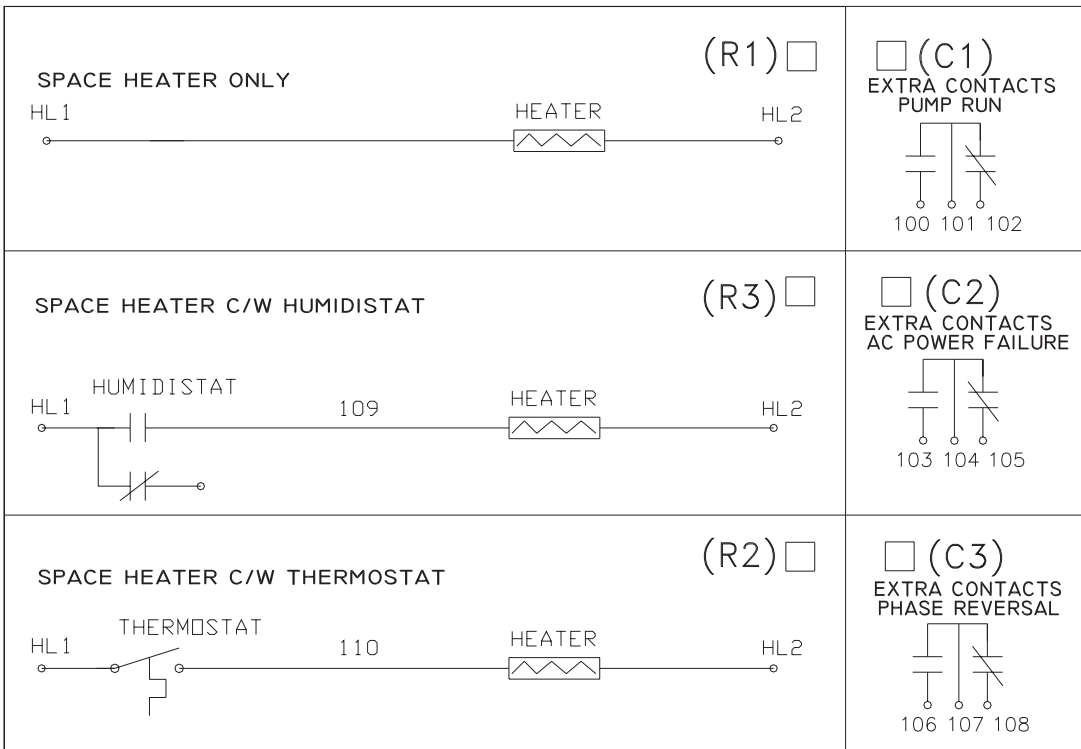


N. Y. C. APPROVED

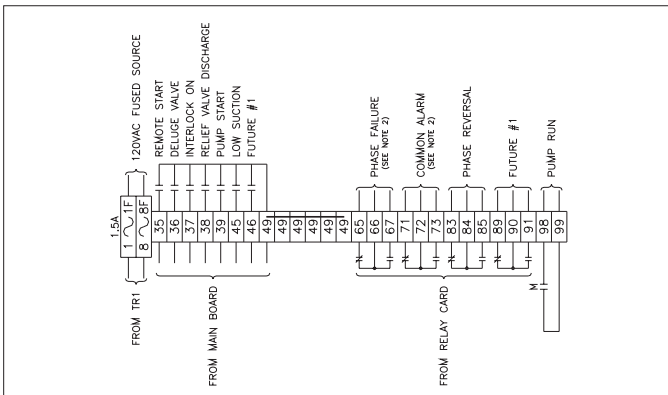


FD90 Reduced Voltage - Soft Start

Options - Wiring Diagram

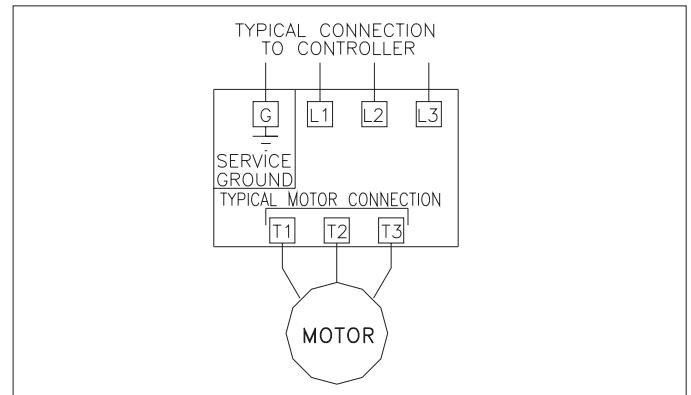


Main Terminal Block: TB1

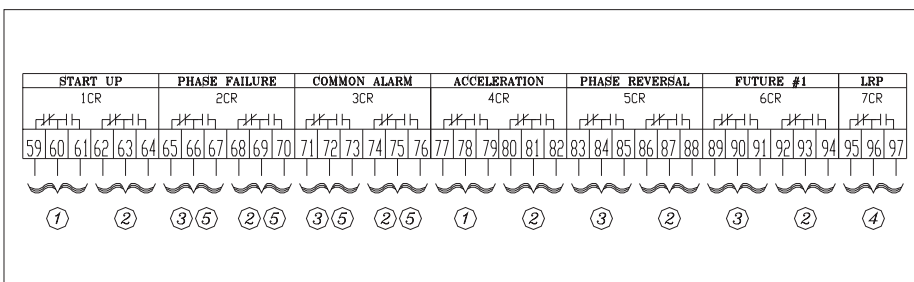


NOTES:
1. Terminal 49 is common to all dry contact inputs.
DO NOT APPLY A VOLTAGE ON THESE TERMINALS
2. Contacts shown in de-energized state (Fail Safe).

Typical Controller Connection



Relay Card



NOTES:
1. To Control Circuit
2. Spare for Customer Connections
3. To TB1
4. To Shunt Trip
5. Contacts Shown in De-Energized State - (Fail Safe)

May 2004

FD90 Reduced Voltage - Soft Start

Catalog Number Selection

FD90 Soft Start Controller Catalog Numbering System

