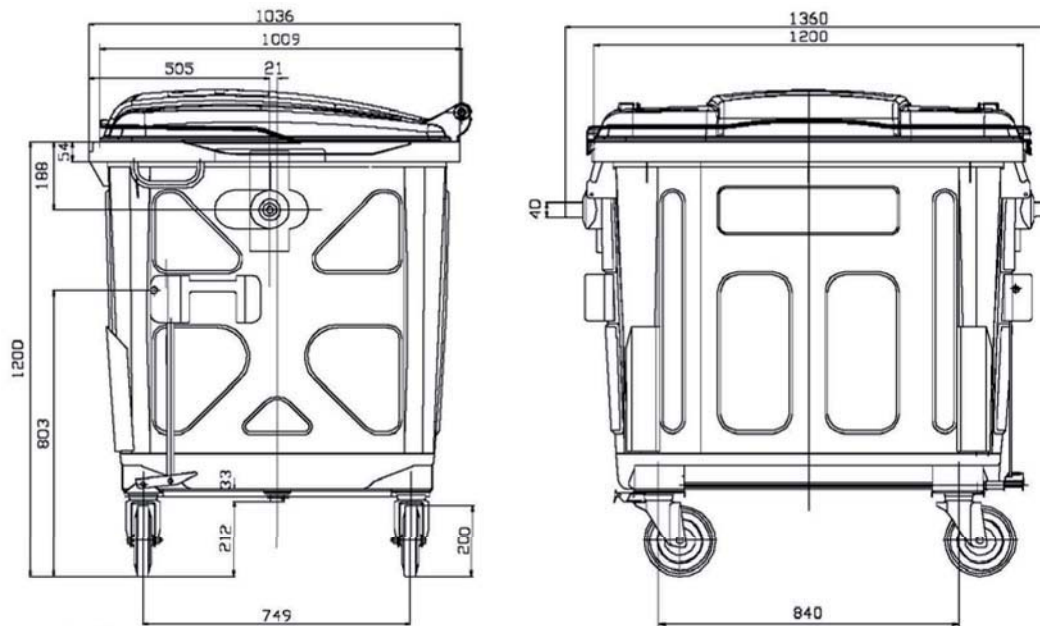


# 1100L SL Steel-combi

## Flat lid



### TECHNICAL DATA

Capacity	1100L
Weight	105 kg
Material	<i>Body: hot-dip galvanized steel Lid: HDPE, UV stabilized</i>
Wheels	<i>4 rubber wheels Ø200mm</i>
Integrated comb-bar	
User-friendly usability caused by the low weight of the lid	
No child security system needed!	
The geometry of the metal body corresponds to that of the OTTO plastic containers, which results in a more efficient stock for spare parts	
This container fulfills the requirements of EN 840	

### OPTIONS

- Lifting trunnion
- Lid opening with foot pedal
- Towing system
- Various locking devices
- Various wheel sets
- Various recycling inserts
- Individual marking



CONTRA International  
[info@contraitl.com](mailto:info@contraitl.com) ; [www.contraitl.com](http://www.contraitl.com)

